

# Maintenance/ Care and Cleaning Instruction

## **Maintenance and Cleaning Instructions**

The finishes of our products are durable. To keep our products in good condition, the end users are required to regularly maintain and clean all the surfaces based on the following guidelines:

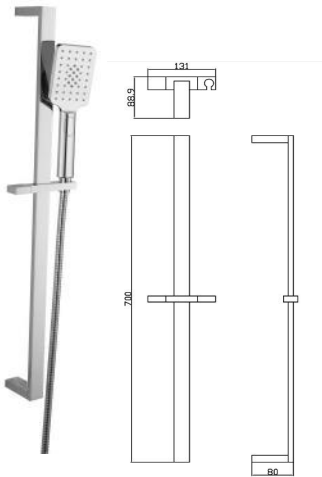
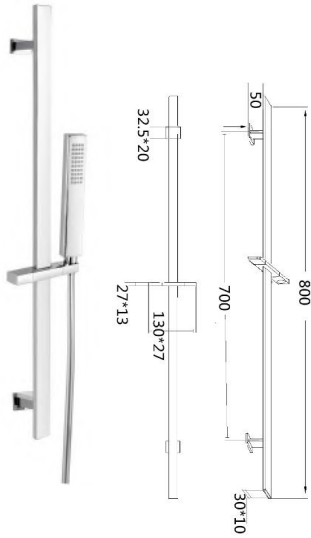
- Warm water or mild soapy water should be used to remove system debris and limescale.
- After cleaning, all soapy water should be removed by water and polished with a clean, soft and dry cloth.
- No abrasive cleaning agents or materials should be used.
- No corrosive cleaning agents should be used, which will cause corrosion.
- More care should be taken in hard-water areas to ensure all the surfaces are regularly cleaned.
- Failure to do so will invalidate the product warranty.

## **Care Instructions**

Please be careful when installing, using, cleaning and maintaining this product. Any defects or damages like peeling problem at this product due to the following reasons is not covered by the product warranty:

- incorrect installation.
- accidental or wilful misuse.
- inappropriate cleaning products.
- inadequate maintenance.
- chemical damage caused by system debris and build-up of limescale (any soapy water left on the surface of the product and not cleaned regular will affect the finish of the product.)
- physical damages like scratches.
- damage caused during repair work.
- water quality i.e. rusting water from the pipework need to be fully flushed out after use or water pressure issues.

# Shower Rail Installation Instructions



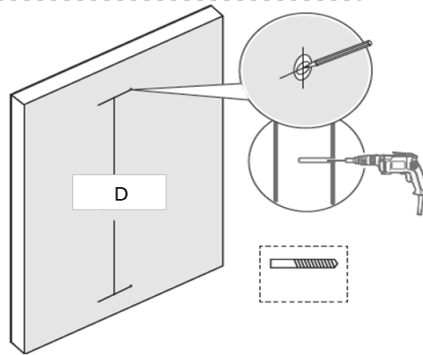
NOTE: Dimension here is for reference only subject to Real product!

# INSTALLATION PROCEDURE

1

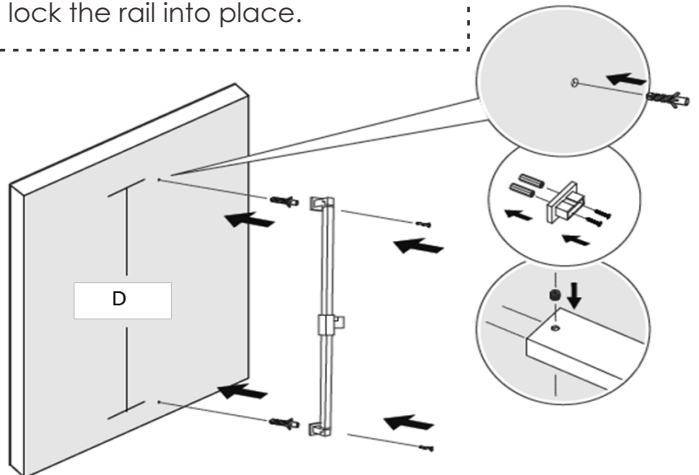
Mark up the two holes at D mm (centre to centre). Once you have done this drill the two holes and place in the two wall plugs.

Here D=  
D=700mm(SR01,SR09)  
D=680mm(SR02)  
D=615mm(SR07)



2

Fasten the bracket to the wall with the screws provided. Once the bracket is fixed attach the rail. To do this push the rail onto the two brackets and use the grub screws to lock the rail into place.



NOTE: Dimension here is for reference only subject to Real product!